

## Weather Station

6 Reference Quality Parameters

### Key Features

- Wind Speed & Direction
- Temperature
- Humidity
- Barometric Pressure
- Dew Point
- Rugged, Professional Design

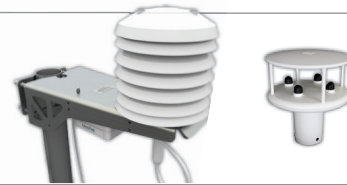
MetPak weather station utilises Gill WindSonic ultrasonic technology, a highly accurate barometric pressure sensor and a Rotronic Hygroclip HC2-S3-GI temperature/humidity probe.

The design of the MetPak allows measurements to be as accurate as possible without influencing other measured parameters yet provides a compact, reference quality system. The unit is especially suitable for harsh or marine environments and is supplied with selectable Gill ASCII, NMEA SDI-12 and Modbus outputs.

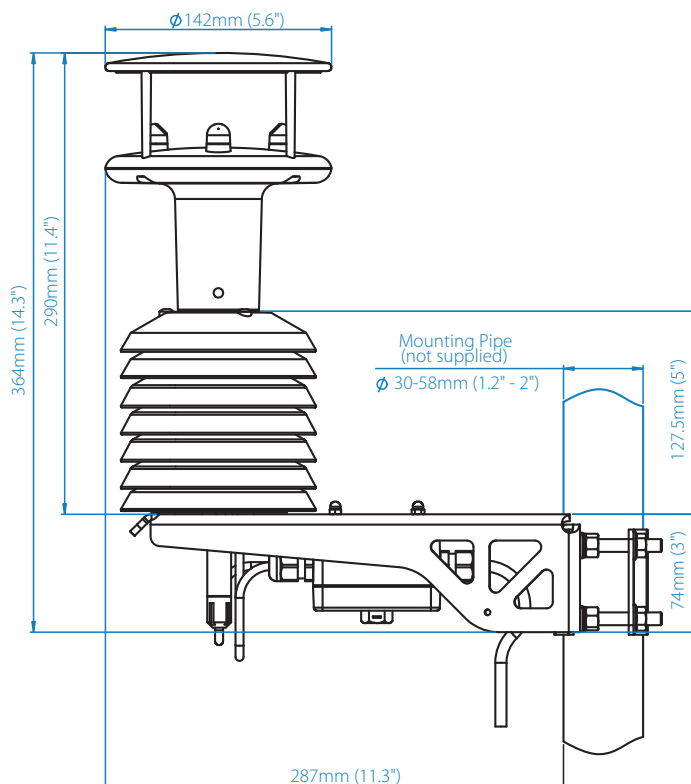


### Base Station Options Available

MetPak can be configured with a remote wind sensor. See page 3 for all wind sensor options.



### MetPak



### Included:

- MetSet configuration software
- MetView data logging/visualisation software
- Mounting kit to adapt to poles or masts
- Selectable ASCII, NMEA, SDI-12 or Modbus Outputs

### Optional:

- Heater Interface Box  
Ease of connection for remote heated wind sensors.
- Cables

## WIND MEASUREMENT

Parameters	Wind speed & direction or U & V (Vectors)
Units of measure	m/s, knots, mph, kph, ft/min

	WIND SPEED	WIND DIRECTION
Range	0-60m/s (134 mph)	0 to 359° - No dead band
Accuracy	±2% @12m/s	±3° @12m/s
Resolution	0.01m/s (0.02 mph)	1°

## AIR TEMPERATURE

Air temperature	Pt100 1/3 Class B
Range	-50°C to +100°C
Accuracy	±0.1°C
Resolution	0.1°C (0.1°F)
Units of measure	°C or °F

## RELATIVE HUMIDITY

Range	0-100% RH
Accuracy	±0.8% @ 23°C
Resolution	0.1% RH
Units of measure	% RH
Compensated for temperature dependency	

## BAROMETRIC PRESSURE

Range	600-1100hPa
Accuracy	±0.5hPa
Resolution	0.1hPa
Units of measure	hPa, mbar, mmHg, InHg
Compensated for temperature dependency -30°C to +70°C	

## DEW POINT

Resolution	0.1°C (0.1°F)
Units of measure	°C or °F
Accuracy	±0.15°C (23°C ambient temp @ 20°C dew point)

\*\* For Base Station please check the individual anemometer datasheets

Specifications may be subject to change without prior notice.

## POWER SUPPLY

Input voltage	5V to 30V**
Current	< 16mA (Output 1 second) @12V
SDI-12	
Input voltage	12V nominal (9.6-16V)
Current	< 6.5mA Low power operation

## OUTPUTS

Digital outputs	RS232, RS422, RS485*,SDI-12 or Modbus <sup>1</sup> (user selectable) * 2 wire point to point
Baud rates	4800-57600 (ASCII) or 1200 (SDI-12)
Protocols	ASCII, SDI-12 V 1.3, NMEA 0183, Modbus (RTU and ASCII)
Data output	1s, 2s, 4s or polled mode

## ENVIRONMENTAL

Protection class	IP65
EMC	EN 61326
Operating temperature	-35°C to +70°C
Storage temperature	-40°C to +80°C
Operating humidity	0% to 100% humidity

## MECHANICAL

External construction	UV stabilised white thermoplastic
Fittings	Anodised Aluminium bracket to allow fitting to 30mm to 58mm mast dimensions
Weight	2.1kg (including bracket)

## SOFTWARE

MetView	Free software for the display of data and logging
MetSet	Free software for the configuration of the MetPak, MetPak RG & MetPak Pro

## OPTIONAL ACCESSORIES

Cables	15m Power & Data cable USB Configuration cable
Hardware	Heater Interface Box

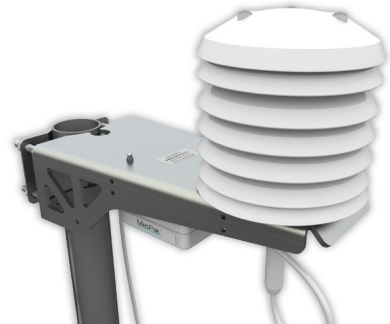
MetPak integrates industry leading products in a convenient, economical package allowing users to concentrate on the measurement rather than the quality of the measurement. Calibration services available from Gill.

## Base Station

MetPak is available as a Base Station which enables the system to be specified with a remote wind sensor if required. This sensor can be positioned away from the Base Station and a connection cable is provided.

The Base Station has been tested in accordance with BSEN 60945 and is suitable for use in marine environments. This system can also be specified without a wind sensor if wind measurement data is not required.

MetPak can be specified with a remote sensor from any of the options shown below:

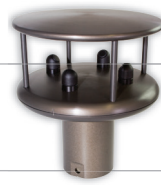


## Wind Sensor Options



### WindSonic™

For wind speed and direction measurements to 75 m/s. Corrosion free, polycarbonate housing.



### WindSonic™ M

Wind speed and direction measurements to 60 m/s with heating and impact resistant to UL2218 Class 1 & BSEN 60945.



### WindObserver™

With enhanced heating and wind measurements up to 90 m/s for extreme conditions.



### WindMaster™

Three dimensional wind measurements up to 45 m/s in a lightweight carbon fibre/aluminium construction.

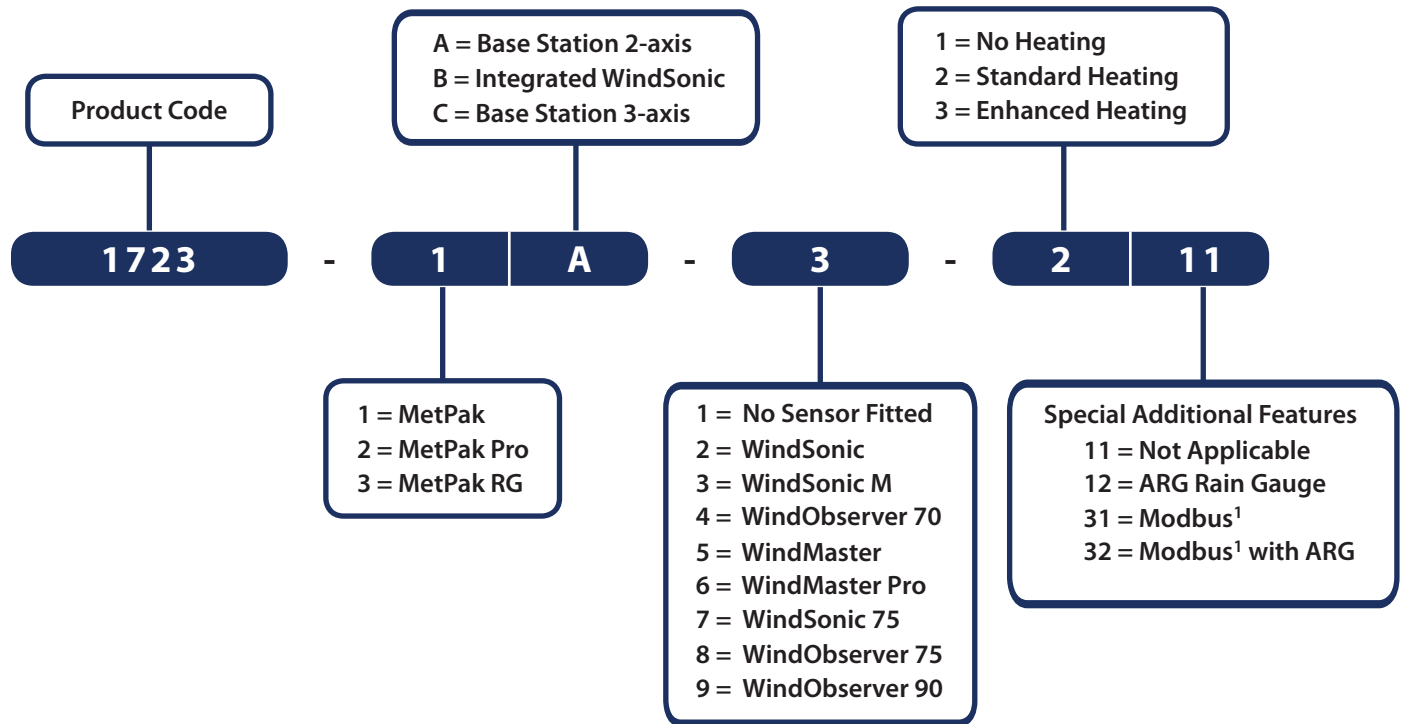


### WindMaster™ PRO

Three dimensional wind measurement up to 65 m/s in a stainless steel housing.

Output rate from the wind sensors is controlled by the Base Station.

Product options may be model specific. Consult the Gill sales team for availability



<sup>1</sup> RS232 ASCII for configuration only with Modbus option



**Gill Instruments**

Saltmarsh Park, 67 Gosport Street  
 Lymington, Hampshire SO41 9EG  
 United Kingdom

Tel: +44 (0) 1590 613 500  
 Fax: +44 (0) 1590 613 501  
 contact@gillinstruments.com



[www.gillinstruments.com](http://www.gillinstruments.com)

1723-0009 Iss 6

Copyright © Gill Instruments 2018

Gill Instruments Ltd, Reg No. 2281574  
 Registered Office: The George Business Centre, Christchurch Road, New Milton, BH25 6QJ